



PROFESSIONAL
AXIAL AIR MOVER
OWNER'S MANUAL

X-8 / X-12
(115V / 60Hz)

XPOWER MANUFACTURE, INC.
220 Clary Avenue
San Gabriel, CA 91776, USA
Tel: 626-285-3301, Fax: 626-285-3302
www.xpower.ws

PLEASE READ AND SAVE THESE INSTRUCTIONS

Index

Introduction	2
Operation / Instructions	3
Safety Instructions	4
Maintenance Instructions / Troubleshooting	5
Specifications	6
Warranty / Service	7
Parts List	8
Accessories	9
Warranty Registration Form	10

Introduction

XPOWER Axial Air Movers are ETL/CETL certified and offer complete control of air velocity and volume. Designed with efficiency and flexibility of use in mind, both the X-8 and X-12 feature low amp draw and a powerful sealed motor to circulate air efficiently and effectively. The X-8 and X-12 function to deliver dry air to ventilate, create negative air pressure or simply to help complete any drying process for a variety of surfaces. Optional duct hoses offer the flexibility to ventilate narrow spaces up to 125 ft. Visit www.xpower.ws to order additional parts and adapters.

Features:

- Low power draw with 1000CFM (X-8) & 2500CFM (X-12) when switched on high
- Super Quiet and Lightweight
- Variable Speed Control Switch
- Durable ABS Plastic Housing
- 20' Power Cord
- Dual Thermal Protection

Operation Instructions

CAUTION!

- **DO NOT OPERATE FAN WITHOUT REVIEWING COMPLETE OPERATION AND SAFETY INSTRUCTIONS**
- Incorrect operation of unit can result in property damage, personal injury, or even death. This unit is NOT designed to operate in an explosive or flammable environment

No assembly is required for this unit. Prior to operating always check that the power cord is not frayed or compromised, the unit is completely dry, and there is not any debris which would obstruct the motor and/or fan blades.

1. Plug the electrical cord into the power outlet.
2. Carefully place the Axial Air Mover unit on a stable, flat dry surface.
3. Turn the switch to desired speed and make sure it is operating correctly.
4. To reduce the risk of injury, close supervision is necessary when the unit is used near children. Do not allow children to play with or around the unit.

Safety Instructions

DANGER!

- Always refer to OSHA and industry standards when determining how to use unit for ventilation purposes.
- Avoid entering any confined area that has not yet been tested and proven safe for work personnel.

1. To prevent electric shock, do not operate the unit in standing water. Never plug in or unplug the unit with wet hands or while standing in water.
2. To avoid risk of injury, do not direct air flow at face or body.
3. Suitable for use with solid-state speed controls.
4. Use only with GFCI protected receptacles. Please contact a qualified electrician for verification and / or installation of a GFCI receptacle if necessary.
5. Do not operate any unit with a damaged cord or plug. Discard axial air mover or return to an authorized service facility for examination and/or repair.
6. This is an automatically operated device. To reduce the risk of injury disconnect from power supply before servicing.
7. Do not run cord under carpeting. Do not cover cord with throw rugs, runners, or similar coverings. Do not route cord under furniture or appliances. Arrange cord away from traffic area and where it will not be tripped over.
8. Do not allow children to play with or around an axial air mover at any time.
9. Do not move or carry the axial air mover while unit is operating.
10. Keep air intakes and exhausts clean at all times to avoid clogging or blocking in order to prevent overheating the unit. Blocking the air intake could result in a fire or electrical hazards.
11. To prevent injury to persons and to avoid objects from coming in contact with the fan blade, do not remove any screens or safety guards from this unit. Damage in this manner will void your warranty.
12. Always place the axial air mover on a smooth and level surface for safe operation.
13. Do not use unit if defective or damaged.
14. Unplug the unit before performing any maintenance, cleaning, or servicing.
15. Any misuse or abuse of this product will void the warranty.
16. An electronic instruction manual can be obtained through www.xpower.ws

Maintenance Instructions

1. To keep the unit clean, use a damp cloth to wipe the surface of the housing.
2. Never clean the Axial Air Mover directly with water.
3. When not in use, unplug and store the unit in a dry indoor place out of reach of children.
4. Always disconnect from its power source before performing any maintenance or cleaning.

Troubleshooting

SYMPTOM	PROBABLE CAUSE	ACTION
Motor Not Running	Switched Off	Make sure unit is plugged in and switch is turned to ON position.
	Power failure	Check outlet/Change to another outlet
	Wiring failure	Contact XPOWER for repair
Scraping Noise From Fan	Obstructions at the intake or exhaust of fan	Remove obstruction(s)
	Fan broken	Contact XPOWER for repair
Weak Air Flow	Obstructed vents/inlets	Unplug unit to clean vents and inlets

Repairs: Any internal repairs should be performed by a qualified technician. Call your local distributor or contact our Service Department at 626-285-3301.

Specifications

Model	X-8	X-12
Power	1/3 HP 115V	1/2 HP 115V
Amp	2.5A	4.5A
Rated Airflow (High)	1000CFM	2500CFM
Speeds	Variable	Variable
RPM	1,100 / 3,300	1,100 / 3,300
Cord	20' / 18AWG	20' / 18AWG
Overheating Protection	Dual Thermal Protection	Dual Thermal Protection
Weight	13.4 lbs	23.4 lbs
Size(inches) (L x W xH)	13.6 x 11.1 x 15.4 inch.	15 x 13.6 x 18 inch.
Housing	ABS	ABS
Safety	ETL / C-ETL	ETL / C-ETL

XPOWER Limited Warranty (USA)

XPOWER's Limited Warranty covers the unit (excludes POWER CORD) from defects in material and craftsmanship. The Warranty covers normal use for a term of one year from the original date of purchase including parts, labor and one way shipping. Non-contiguous states must pay for roundtrip freight. A purchase receipt must be provided.

Important!

This warranty does not cover or apply to defects due directly or indirectly to misuse, abuse, disassembly, alteration, corrosive chemicals, improper voltage, fire, flood, negligence, accident, improperly or incorrectly performed maintenance or repair, or failure to perform necessary maintenance or repair, or if the use of this product is not in compliance with the instructions and specifications for its use.

Service

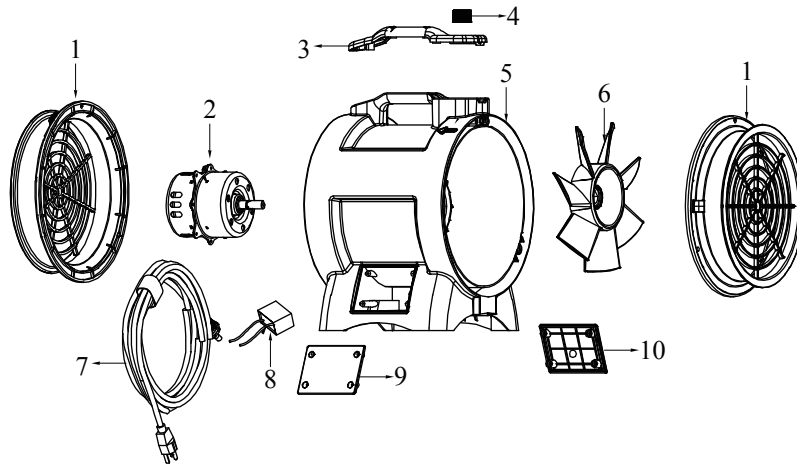
For Warranty service and parts replacement (US users only), you must:

- A. Call 1-855-855-8868 for a RMA (Return-Merchandise-Authorization) number.
- B. Have original proof of purchase.
- C. Use the original undamaged packaging or an industrial certified packaging method.

End user will be responsible to ship the unit (with RMA Number showing on the shipping label) to the XPOWER Service Department. XPOWER to inspect, assess and advise the repairs needed and the applicable cost, if any. For users outside the US, please contact XPOWER Distributor in your country or region for Warranty service and parts replacement.

Parts List

Item No.	Parts Name	Item No.	Parts Name
1	Air Inlet / Outlet	2	Motor
3	Handle Cover	4	Speed Switch
5	Housing	6	Fan
7	Power Cord	8	Capacitor
9	Power Cord Panel	10	Label Panel



Accessories

Ducting Hose items listed below are available for purchase via www.xpower.ws. Hoses can extend air flow up to 125ft. Keep in mind that as the ducting hose length increases, the air flow rate will decrease.



DUCTING HOSE

Item#	Diameter	Length
XPOWER 8DH25	8"	25'
XPOWER 12DH25	12"	25'



DUCTING HOSE CARRIER

XPOWER 8DHC (compatible with 8DH25)

Warranty Registration (for US user only)

For your product warranty, please complete and mail / fax this form to XPOWER MANUFACTURE, INC.

Address: 220 Clary Ave., San Gabriel, CA 91776. Tel: 626-285-3301 Fax: 626-285-3302

(For your convenience, register your product online at xpower.ws)

Company Name / Contact Person / Title _____

Address _____ City _____

State / Province _____ Zip _____ Country _____

Phone _____ Fax _____ E-mail _____

Model # _____ **Serial #:** _____

Date of Purchase ____/____/____ **Purchased From** _____

Additional Comments / Suggestions _____



From: _____



TO:

XPOWER MANUFACTURE, INC.

220 Clary Avenue

San Gabriel, CA 91776, USA

Tel: 626-285-3301, Fax: 626-285-3302

